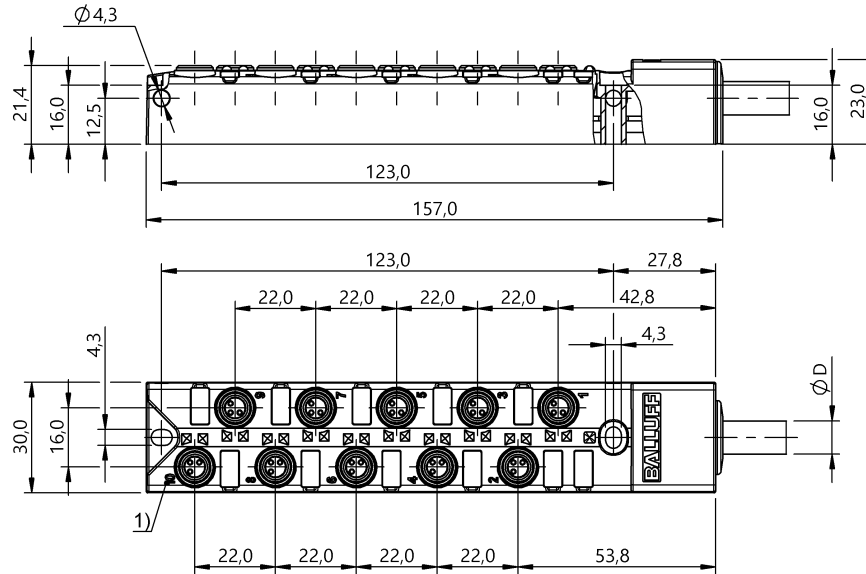


Junction blocks

BPI AM3030-5K-B0-KPXC0-030

Order Code: BPI00FF

BALLUFF



1) Slot numbering



Basic features

Approval/Conformity	CE UKCA cULus WEEE
Scope of delivery	Part labels (11x) Cover cap (5x)

Electrical connection

Bending radius min., fixed cable	7.5 x D
Bending radius min., flexible cable	15 x D
Cable	PUR black, 3 m, drag chain compatible
Cable diameter D	7.80 mm ±0.2 mm
Cable, bending cycles min.	2 mil.
Conductor cross-section	0.34 mm ² + 0.75 mm ²
Connection slots	10x M8x1-Female, 3-pin
Number of conductors	12

Electrical data

Isolation resistance	≥ 10 GOhm
Operating voltage U_b	10...60 VDC/10...60 VAC
Output current max.	3 A
Rated operating voltage U_e DC	24 V
Total current max.	8 A

Environmental conditions

Cable temperature, fixed routing	-40...80 °C
Cable temperature, flexible routing	-20...80 °C
IP rating	IP67, when threaded in

Material

Cable jacket, material	PUR
Housing material	PBT, GF
Material contact carrier	PBT
Material contacts	Bronze (CuSn6), nickel layer

Mechanical data

Acceleration max., drag chain	10 m/s ²
Cable jacket, color	black
Cable length L	3.00 m
Cable properties	drag chain compatible
Casting	yes
Dimension	157 x 30 x 23 mm
Horizontal travel permitted, drag chain	10 m at 10 m/s ²
Mounting part	M4 (2x)
Tightening torque	1.2 Nm ±0.2 (M4)
Tightening torque pigtail	0.4 Nm + 0.1 Nm (M8 connector)
Traverse speed max., drag chain	3 m/s

Junction blocks

BPI AM3030-5K-B0-KPXC0-030

Order Code: BPI00FF

BALLUFF

Remarks

Cable construction acc. to UL-AWM Style 20549/10493

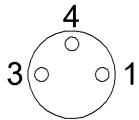
Flame resistance per IEC 60332-1-2

Flame resistance per UL 758/1581 FT2

Oil resistant per DIN EN 60811-404 (VDE 0473-811-404)

Enclosure rating per IEC 60529, only in screwed state with the associated mating piece.

Connector Drawings



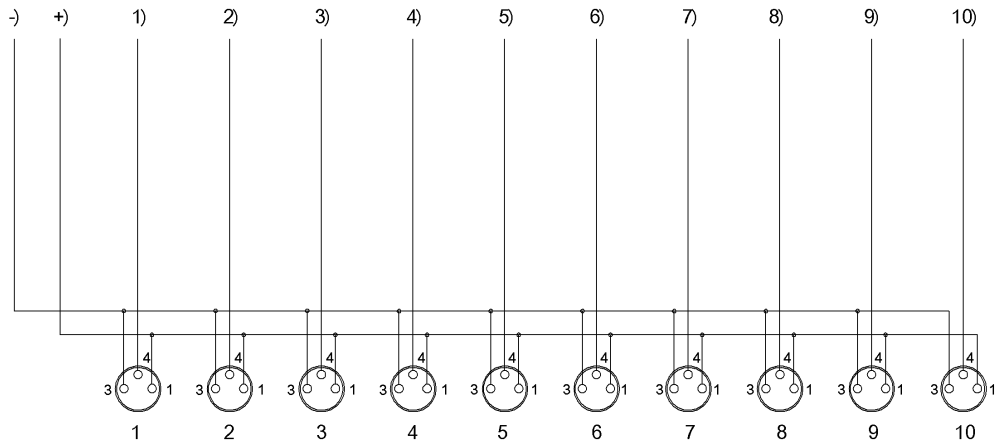
I/O ports

PIN 1: +24V

PIN 3: 0V

PIN 4: signal

Wiring Diagrams



-) blue 0.75 mm²

+) brown 0.75 mm²

1) white

2) green

3) yellow

4) gray

5) pink

6) red

7) black

8) violet

9) gray/pink

10) red/blue